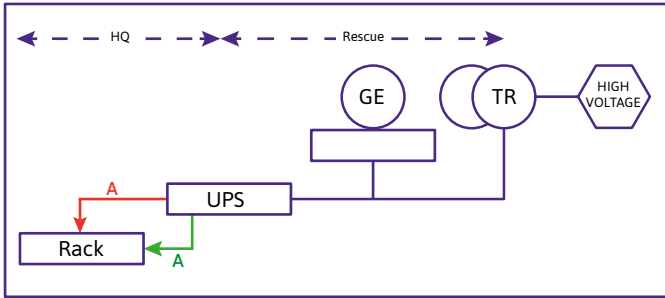




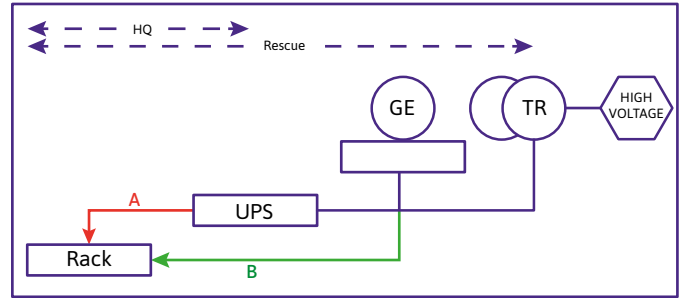
SCALEWAY DATACENTER DESIGNS

Evaluate and determine the architecture and redundancy level that best fits your business requirements.

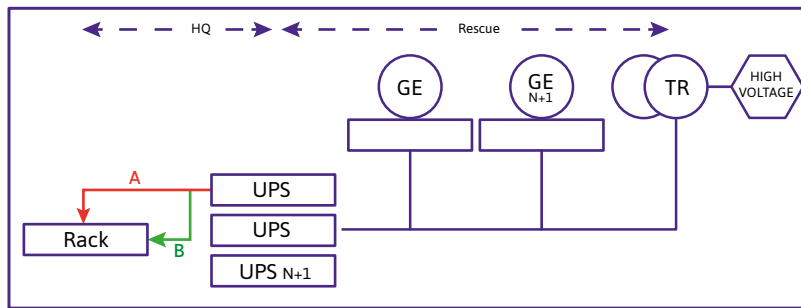
TYPE 1 - SINGLE PATH / DUAL FEED



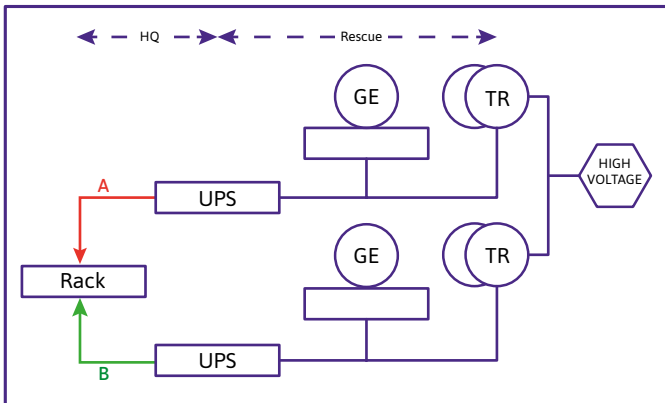
TYPE 2 - DUAL PATH / DUAL FEED



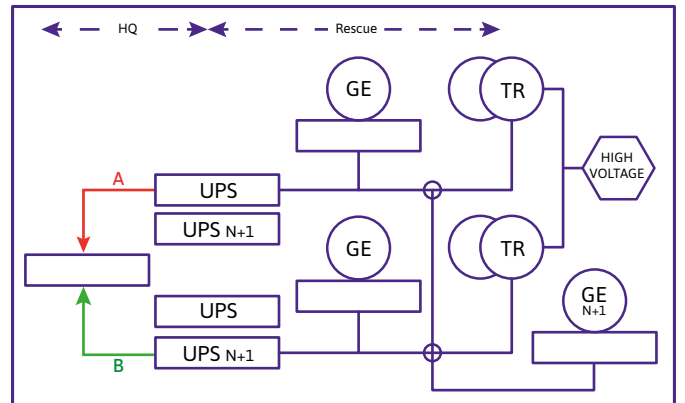
TYPE 3 - SINGLE PATH / DUAL FEED



TYPE 4 - DUAL PATH / DUAL FEED



TYPE 4 - DUAL PATH / DUAL FEED



	1/4 RACK	1/4 RACK
○ Type 1	99,98%	—
● Type 2	99,99%	DC2, DC5
● Type 3	99,9998%	DC2, DC5
● Type 4	99,99986%	DC2, DC4
● Type 5	100%	DC3

YOU HAVE A PROJECT OR NEED A QUOTATION ?

+33 1 84 13 00 50 • sales@scaleway.com